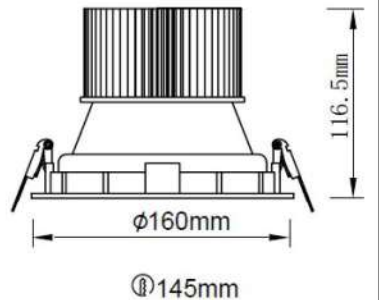




SPECIFICATION

DECO II LSDLJ013-B

Item No:	LSDLJ013-B					
Product Category	LED Downlight					
Installation	Recessed					
IP Grade	IP 20					
Beam Angle	15/28/40					
Power Consumption	Max.42W					
Dimension	ø160*H116.5mm					
Cut out	ø145mm					
Ambient Temperature	-20°C~45°C					
Finishing Color	WH/BK					
Optical Parameters						
LED Source	Luminus					
Lamp Life	35000-5000H					
Luminance uniformity	≥0.9					
Color Shift	≤0.004					
Center intensity						
Clour Temperature	Initial Lumen	Lumen Efficiency	CRI	Chromaticity Coordinates	Color Difference	
3000K	4050lm	90lm/W	90	N/A	≤3	
Power Model	Osram					
Energy Grade	1					
Dimmable	N/A					
Power factor	≥0.9					
Input Voltage	220-240V					
Output Voltage	1050mA 30-40Vd.c.					
Input Current Frequency	50Hz/60Hz					
Others:						
Safety	CE/Rohs					
Warranty	5 years					



Unit 91 . Court hill House . 60 Water Lane . Cheshire . SK9 5AJ
 Tel : 01625 828 999 Web: www.lightsaveled.com Email: info@lightsaveled.com

All statements, technical information and recommendations contained in this document are based on information and tests we believe to be reliable. The accuracy or completeness thereof is not guaranteed. We reserve the right to revise or update this document without notice. Since the conditions of use are outside our control, the purchaser should determine the suitability of the product for its intended use and assumes all risk and liability whatsoever in connection therewith.