
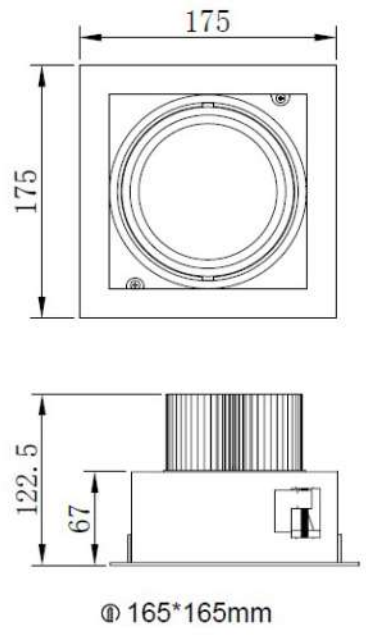




SPECIFICATION

DECO II LSDLJ014-B

<b>Item No:</b>		<b>LSDLJ014-B</b>				
Product Category		LED Downlight				
Installation		Recessed				
IP Grade		IP 20				
Beam Angle		15/28/40				
Power Consumption		Max.42W				
Dimension		W175*L175*H122.5mm				
Cut out		W165*L165mm				
Ambient Temperature		-20°C~45°C				
Finishing Color		WH/BK				
Optical Parameters						
LED Source		Luminus				
Lamp Life		35000-5000H				
Luminance uniformity		≥0.9				
Color Shift		≤0.004				
<b>Center intensity</b>						
Clour Temperature	Initial Lumen	Lumen Efficiency	CRI	Chromaticity Coordinates	Color Difference	
3000K	4050lm	90lm/W	90	N/A	≤3	
Power Model		Osram				
Energy Grade		1				
Dimmable		N/A				
Power factor		≥0.9				
Input Voltage		220-240V				
Output Voltage		1050mA 30-40Vd.c.				
Input Current Frequency		50Hz/60Hz				
Others:						
Safety		CE/Rohs				
Warranty		5 years				



Unit 91 . Court hill House . 60 Water Lane . Cheshire . SK9 5AJ  
 Tel : 01625 828 999 Web: www.lightsaveled.com Email: info@lightsaveled.com

All statements, technical information and recommendations contained in this document are based on information and tests we believe to be reliable. The accuracy or completeness thereof is not guaranteed. We reserve the right to revise or update this document without notice. Since the conditions of use are outside our control, the purchaser should determine the suitability of the product for its intended use and assumes all risk and liability whatsoever in connection therewith.