

EXPERTS IN PLUG & PLAY LED TUBES, LED HIGH BAYS AND LED IN CEILING SPECIALIST



LIGHTSAVE LED
LIGHTSAVELED.COM

LS TLJ017 Shooter - Trackspot system



Barndoor accessories suitable for Dia.85mm cylindrical.



Honeycomb louver/Spread lens for optional

Features:

Extremely energy efficient - 90 lm/w
15/28/40° beam angle
3000K colour temperature
Lamp Life upto 50,000 Hours
Suitable for dimming
For indoor use only


Lightsave LED Track spot-light:

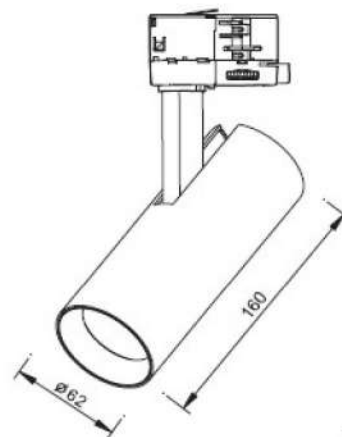
Track spot-light with excellent colour rendering suitable for retail applications.
Constructed from tough polycarbonate and aluminium with a long life of 50,000 hours with excellent heat dissipation with internal finned heatsink.
Spot-light direction can be adjusted between 360° horizontal and 180° vertical.

Areas of application:

Retail Outlets
Architectural Interiors
Airports
Gallery

Specification

Item No:		LSTLJ017				
Product Category		LED Trackspot				
Installation		Track				
IP Grade		IP 20				
Beam Angle		15/28/40				
Power Consumption		Max.10W				
Dimension		ø62*L160mm				
Cut out		N/A				
Ambient Temperature		-20°C~45°C				
Finishing Color		WH/BK				
Optical Parameters						
LED Source		Luminus				
Lamp Life		35000-50000H				
Luminance uniformity		≥0.9				
Color Shift		≤0.004				
Center intensity						
Clour Temperature	Initial Lumen	Lumen Efficiency	CRI	Chromaticity Coordinates	Color Difference	
3000K	900lm	90lm/W	90	N/A	≤3	
Power Model		HEP				
Energy Grade		1				
Dimmable		N/A				
Power factor		≥0.9				
Input Voltage		220-240V				
Output Voltage		250mA 30-40Vd.c.				
Input Current Frequency		50Hz/60Hz				
Others:						
Safety	CE/Rohs					
Warranty	5 years					



LIGHTSAVE LED 
LIGHTSAVELED.COM

Unit 91 . Court hill House . 60 Water Lane . Cheshire . SK9 5AJ
 Tel : 01625 828 999 Web: www.lightsaveled.com Email: info@lightsaveled.com

All statements, technical information and recommendations contained in this document are based on information and tests we believe to be reliable. The accuracy or completeness thereof is not guaranteed. We reserve the right to revise or update this document without notice. Since the conditions of use are outside our control, the purchaser should determine the suitability of the product for its intended use and assumes all risk and liability whatsoever in connection therewith.