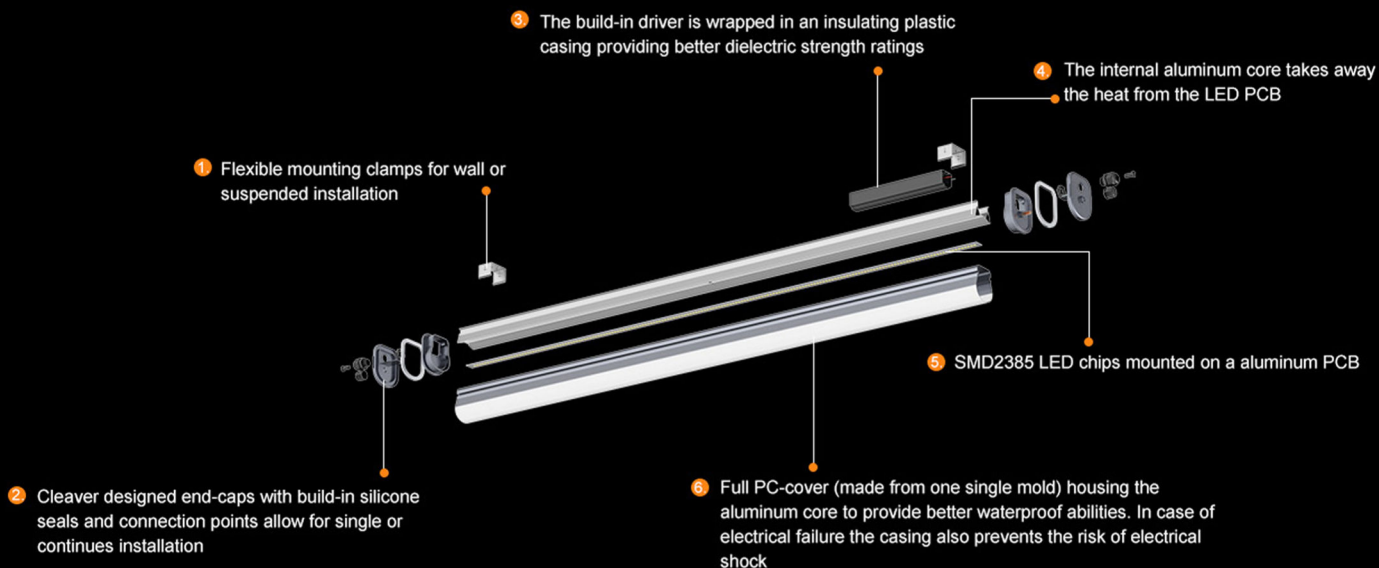


EXPERTS IN PLUG & PLAY LED TUBES, LED HIGH BAYS AND LED IN CEILING SPECIALIST.



Non-corrosive/Vapor Tight Fixture

LS1 Tri Proof Light



20W/40W/55W

Features:

- Highly energy efficient - up to 130 lm/w
- IP67 and IK10 for indoor and outdoor use under all conditions
- Single installation or use as continuous line
- Quick and easy installation
- D-Mark tested for the use in paper production, wood processing etc.
- 5 Years warranty

Certificates:

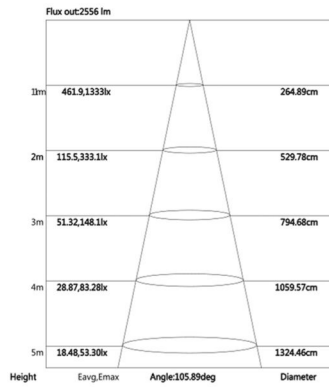
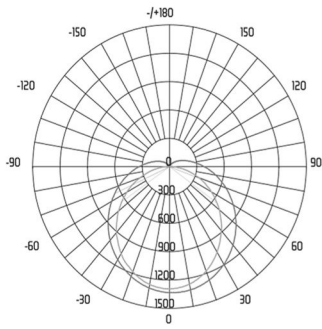
- European market: CE (EMC, LVD, RoHS), D-Mark

Area of application:

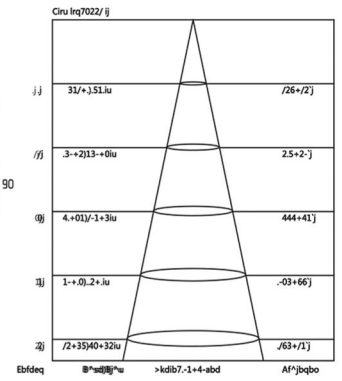
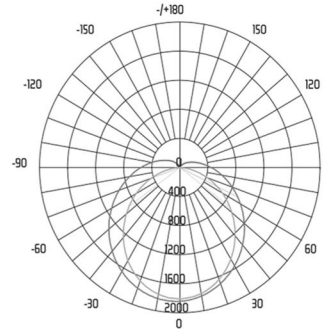
- Production areas with harsh conditions
- Parking Facilities, corridors and halls
- Storage rooms and warehouses

Light Distribution Curve and Average E (LX) Figure---5000K

40W/CW



55W/CW



Basic Specifications

Standard lumen (lm) (130lm/W)

Model	Nominal Wattages (W)	Nominal Voltage	Rated luminous efficacy (lm/w)	Nominal luminous flux (lumen)	Beam Angle	LED Quantity	CRI
LS1TP-20W06	20	AC100~277V 50~60Hz	125±5	2500±100	120°	72pcs 0.5W SMD2835	> 80Ra
LS1TP-40W12	40		125±5	5000±200		144pcs 0.5W SMD2835	
LS1TP-55W15	55		125±5	6800±275		192pcs 0.5W SMD2835	

Electrical datas

Photometrical data

Operating frequency	47-63Hz	Available light colors	Warm white; Natural white; daylight white
Type of current	AC100~277V	Available color temperatures	3000K; 4000K; 5000K; 6000K
Power factor λ	>0.9	Color rendering index Ra	> 80
Efficiency in %	>92%	Standard deviation of color matching	<3
Start time (0.2s / 0.5s / ...)	0.1S	UGR (Unified Glare Rating)	<25
Warm-up time to 60 % (1.5s / 2s / ...)	0.5S	Available beam angles	120°

Standards & Certification

Temperatures & operating conditions

Type of protection	Ip67	Operating temp	20~+69 °C
Tested dielectric strength	3.75KVac	Ambient temperature	-30~+50 °C
Safety features features	Open circuit protection; Short circuit protection ; Overvoltage protection	Storage temperature	-40~+80 °C
Certificates	European market: CE, D-Mark		
Energy efficiency class	A+		

Lifespan

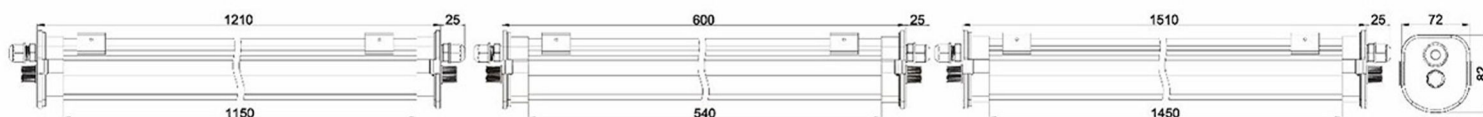
Features/Capabilities additional product data

Rated nominal Lifetime	5 Years	Base/Socket	Directly wired
Switching cycles	100,000 times	Dimmable	/
Lumen maintenance at e.o.l.	70%		

Packing Information

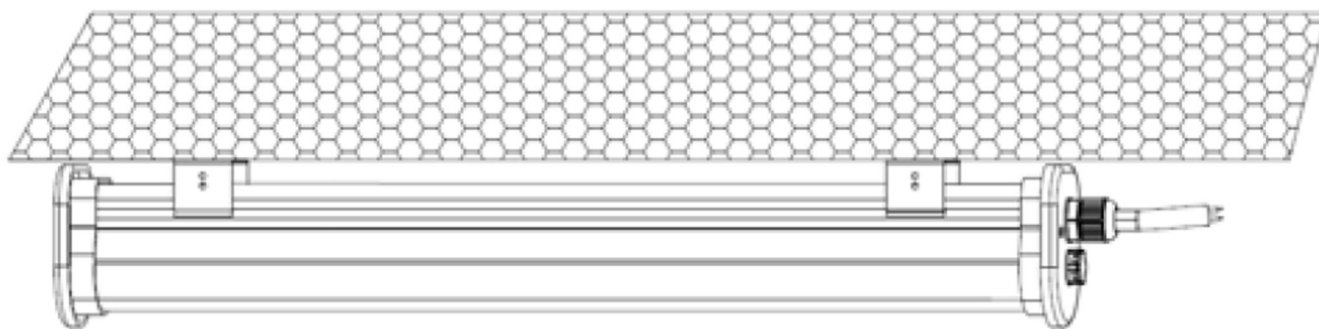
Model	Dimension	CTN SIZE(CM)	QTY/CTN	Net Weight/pcs(kg)	Gross Weight /CTN(kg)
LS1TP-20W06	600*82*72	71*35*23	6PCS	1	8.8
LS1TP-40W12	1210*82*72	132*35*23	6PCS	1.8	14.5
LS1TP-55W15	1510*82*72	162*35*23	6PCS	2.3	18.8

Dimension (mm)



Installation

Surface Mount | Clips Included



LIGHTSAVE LED 
LIGHTSAVELED.COM

Unit 91 . Court hill House . 60 Water Lane . Cheshire . SK9 5AJ
Tel : 01625 828 999 Web: www.lightsaveled.com Email: info@lightsaveled.com