

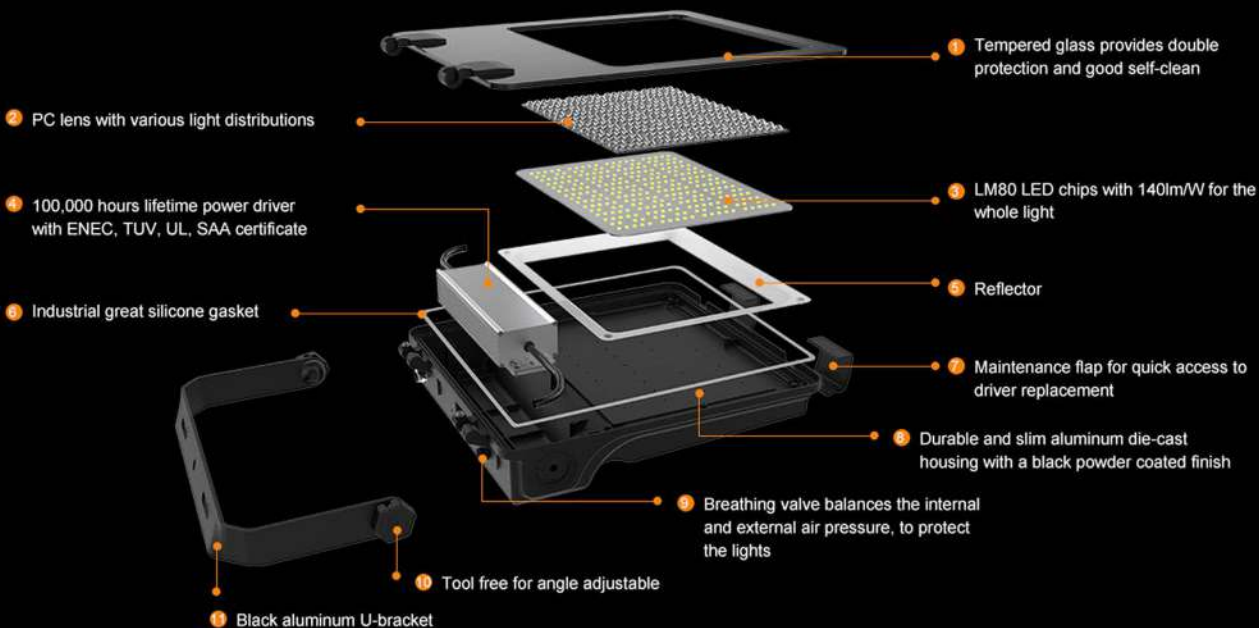


LIGHTSAVE LED
LIGHTSAVELED.COM

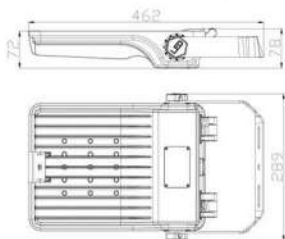


Lightsave LST33 Premium Flood Light

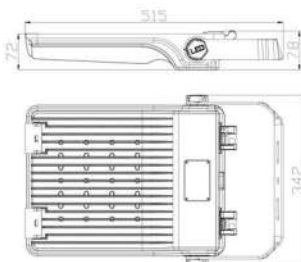
50W / 80W / 100W / 120W / 150W / 200W / 240W



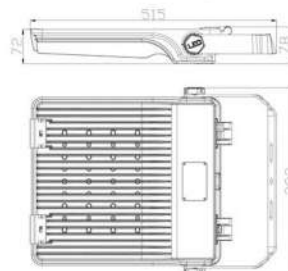
LST33 - 50W | 80W | 100W



LST33 - 120W | 150W



LST33 - 200W | 240W



Features:

- High light efficient up to 140lm/w
- IP66 and IK08 protection
- Wind resistant design with durable aluminum die-cast housing
- Maintenance flap for quick access to driver replacement
- Easily adjustable 270° angle
- Breathing valve design
- Linkable use to connect one by one
- Innovative G-buckle clamp technology

Options:

- 1-10V dimmable and DALI driver
- Microwave motion sensor
- SPD protection

Area of application:

- Sports Areas
- Parking lots
- Billboard illumination
- Ports and airports
- Other outdoors application

Our Premium Flood Light has an innovation design and different optics for the best performance in lighting distribution. The whole fixture uses outdoor electrophoresis and powder coating with strong anti-corrosion treatment. This is the best choice for all kinds of different applications, like recreational sports areas, outdoor area lighting and others.

The lamp has a convenient flap for quick access to the driver compartment, making the maintenance time quicker. The heatsink has an excellent cooling performance that ensures the long lifespan of the electronic components. As an extra feature the lamp can be linkable one by one, so can they can be configured for different kinds of projects.



Basic Specifications

Standard lumen (140lm/W)

Model	Nominal wattages (W)	Nominal voltage	Rated luminous efficacy (lm/w)	Nominal luminous flux (lumen)	Beam Angle	LED Quantity	CRI
T33-50W	50W	AC100~277V 50~60Hz	135±10	6800±500	30°/60°/90°/ 90°*120°/40°*130°	84 PCS EMC 3030	>70 (Ra>80 optional)
T33-80W	80W		135±10	10800±800		126 PCS EMC 3030	
T33-100W	100W		130±10	13000±1000		126 PCS EMC 3030	
T33-120W	120W		135±10	16200±1200		168 PCS EMC 3030	
T33-150W	150W		135±10	20200±1500		224 PCS EMC 3030	
T33-200W	200W		135±10	27000±2000		280 PCS EMC 3030	
T33-240W	240W		130±10	31200±2400		280 PCS EMC 3030	

Electrical data

Photometrical data

Operating frequency	47-63HZ	Available light colors	warm white;natural white; daylight white
Type of current	AC100-277V	Available color temperatures	3000K;4000K;5000K;6000K
Power factor λ	>0.9	Color rendering index Ra	>70
Efficiency in %	>90%	Standard deviation of color matching	< 5
Start time (0.2s / 0.5s / ...)	0.1S	UGR (Unified Glare Rating)	<27
Warm-up time to 60 % (1.5s / 2s / ...)	0.5S	Available beam angles	30°/60°/90°/90°*120°/40°*130°

Standards & Certification

Temperatures & operating conditions

Type of protection	IP66	Heatsink temperature	5~+70 °C
Tested dielectric strength	3.75KVac	Ambient temperature	-30~+55 °C
Safety features	Open circuit protection; short circuit protection ; overvoltage protection	Storage temperature	-40~+80 °C
Certificates	TUV, CE, RoHS		
Energy efficiency class	A+		

Lifespan

Features/Capabilities and additional product data

Rated nominal Lifetime	50.000 hours	Base/Socket	Directly wired
Switching cycles	100.000 times	Dimmable	1-10V dimmable, DALI dimmable
Lumen maintenance at e.o.l.	L80/B10		

Packing Information

Model	Dimension(mm)	CTN SIZE(mm)	QTY/CTN	Net Weight/pcs(kg)	Gross Weight /CTN(kg)
T33-50W/80W/100W	462*289*78	51*33*12	1PCS	5.2	6.8
T33-120W/150W	515*342*78	56*39*12	1PCS	7.2	9
T33-200W/240W	515*393*78	56*44*12	1PCS	9.2	11.2

Optional accessories



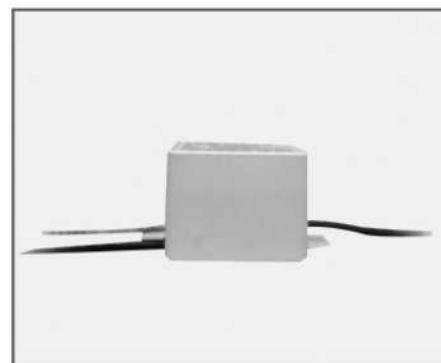
1-10V Dimmable driver



DALI Dimmable



Microwave Sensor



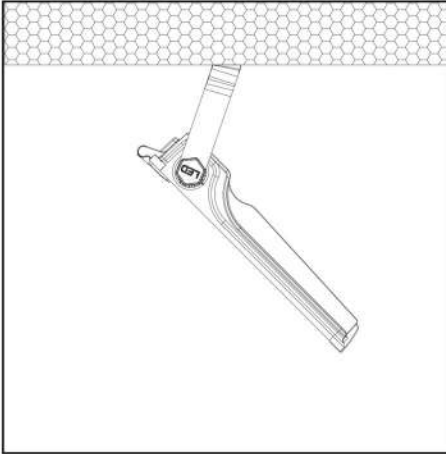
SPD: 10KV surge protection

Application and safety notes

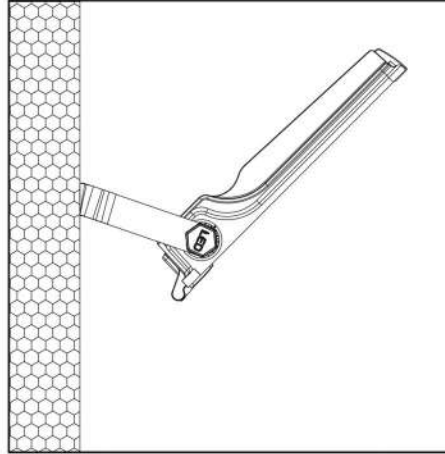
- Carefully read and follow all warnings and instructions before installing or servicing the luminaire.
- The installation should be done by an individual familiar with the construction and operation of the luminaire.
- The installation of this luminaire must be in accordance with national and local building and electrical codes.
- The product must not be damaged or operated in a damaged condition.
- This luminaire must be directly wired on line. Any ballast or other power device previously used with the replaced luminaire must be removed.
- Between the luminaire and any possibly flammable material must be an appropriate safety space (at least 20cm).
- The luminaire must not be covered with heat insulating materials.
- Always provide proper ventilation around the luminaire and do not exceed the maximum ambient temperature.
- Compared to traditional lights the characteristic light distribution of this LED luminaire may differ. In order to be sure to meet your lighting requirements a photometric check of the installation is recommended.

Installation Instruction

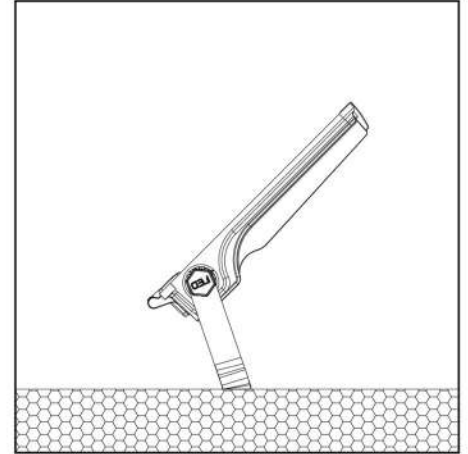
1: ceiling mounted



2: Wall mounted



3: Socket mounted



Maintenance

- To avoid injuries, disconnect power to the light and allow the unit to cool down before performing maintenance.
Warning: No user serviceable parts inside. Risk of electric shock. Removal of the cover will void the warranty.
- Perform visual, mechanical and electrical inspections on a regular basis. We recommend routine checks to be made on an annual basis. Frequency of use and environment should determine this.
- The PC cover should be cleaned periodically as needed to ensure continued photometric performance. Clean the PC cover with a damp, non-abrasive, lint-free cloth. If not sufficient, use mild soap or a liquid cleaner. Do not use an abrasive, strong alkaline or acid cleaner as damage may occur.
- Inspect the cooling surfaces and fins on the luminaire to ensure that they are free of any obstructions or contamination (i.e. excessive dust build-up). Clean with a non-abrasive cloth if needed.

LIGHTSAVE LED 
LIGHTSAVELED.COM

Unit 91 . Court hill House . 60 Water Lane . Cheshire . SK9 5AJ
Tel : 01625 828 999 Web: www.lightsaveled.com Email: info@lightsaveled.com

All statements, technical information and recommendations contained in this document are based on information and tests we believe to be reliable. The accuracy or completeness thereof is not guaranteed. We reserve the right to revise or update this document without notice. Since the conditions of use are outside our control, the purchaser should determine the suitability of the product for its intended use and assumes all risk and liability whatsoever in connection therewith.