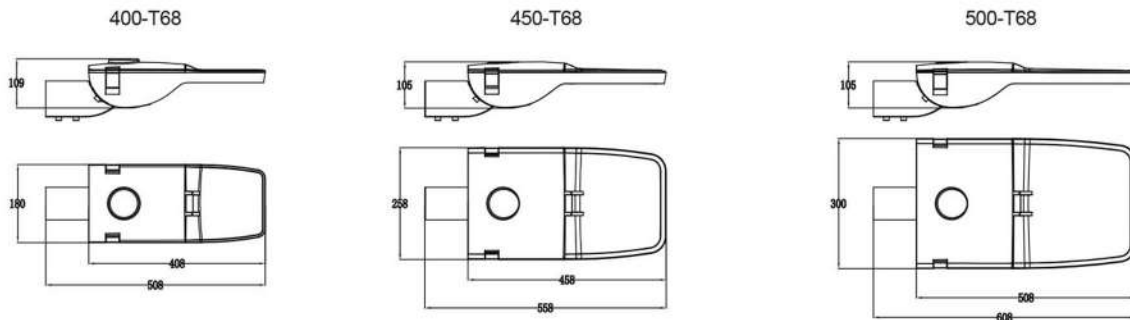
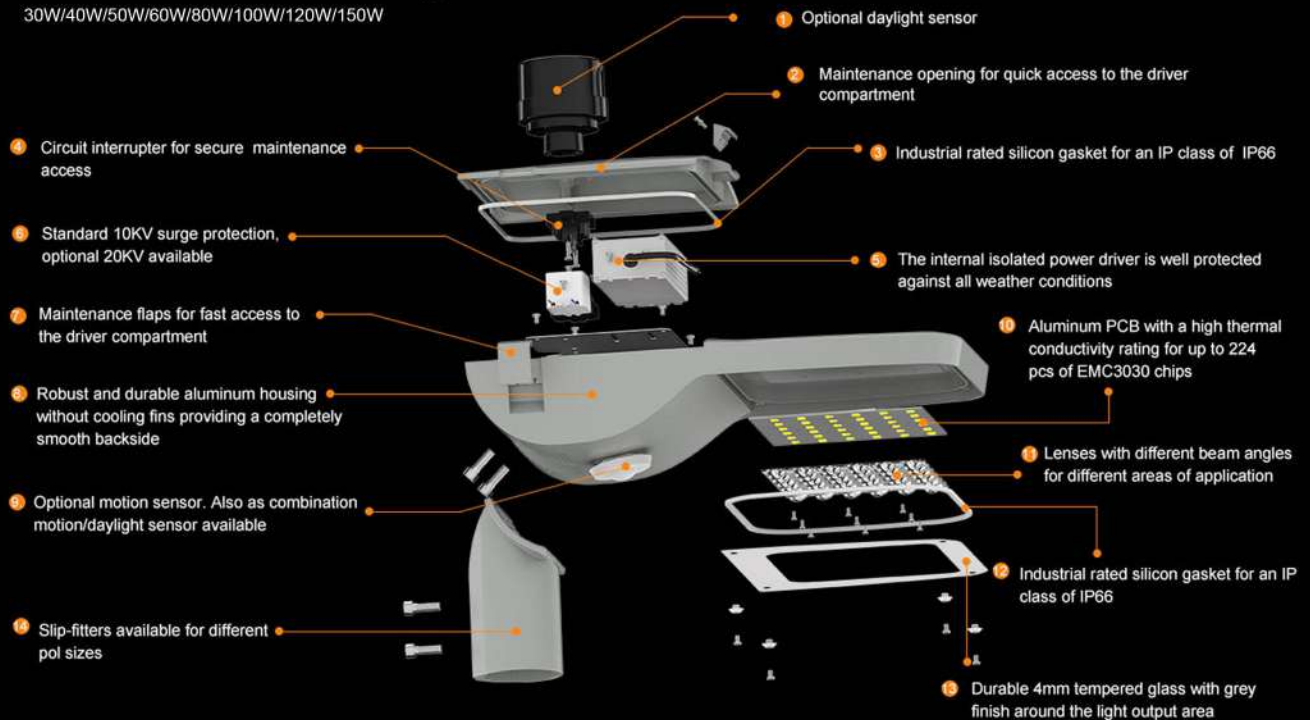




Lightsave LST68 Street Light

30W/40W/50W/60W/80W/100W/120W/150W



Features:

- Extremely energy efficient - up to 140 lm/w
- High Luminous flux - up to 21.000 lm
- Maintenance flap for quick access to the driver compartment
- Excellent heat dissipation and modern design
- Slim and compact profile for maximum wind resistance
- Long-lasting power driver (flicker-free-models above 50W)
- Circuit interrupter for maintenance access
- Adjustable installation angel

Options:

- Daylight sensor and motion sensor available
- Daylight sensor can be on the upper side or the downside
- Optional 20KV Sure Protection upgrade
- CRI 80 Ra available upon request
- 3pin, 5pin, 7pin NEMA base

Area of application:

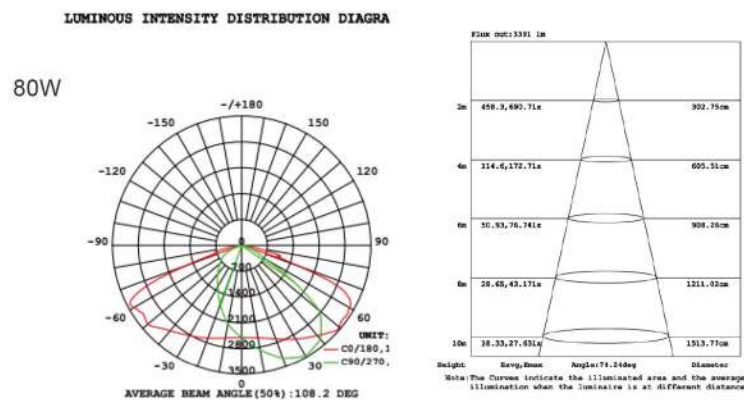
- Residential roads and streets
- Parks
- Parking lots
- Loading areas
- Sporting venues

Modern Streetlights play a vital role when it comes to the safety and security on our streets, in parks and in urban areas. Our LST68 Streetlight was designed to contribute to these aspects while still being affordable and without compromising on light quality or energy efficiency. During daytime the aesthetic yet unobtrusive design will perfectly blend-in while during dark hours its full long-lasting potential will unfold and illuminate where safety and security are essential.

A wide wattage range from 20W to 150W, lenses for different beam angles and a suitable selection of slip-fitters for different pole sizes guarantee the right setup for most areas of application. If needed a quick maintenance flap allows fast and easy access to the driver compartment. Optional daylight and motion sensors potentially enhance power savings and reduce unwanted light pollution.



Light Distribution Curve and Average E (LX) Figure---5000K



Basic Specifications

Standard lumen (140lm/W)

Model	Nominal Wattages (W)	Nominal Voltage	Rated luminous efficacy (lm/w)	Nominal luminous flux (lumen)	Beam Angle	LED Quantity	CRI	
400-T68-30W	30W	AC100~277V 50~60 Hz	130±10	3900±300	140°70°	56pcs EMC3030	>70Ra	
400-T68-40W	40W		130±10	5600±400		140°40°		63pcs EMC3030
400-T68-50W	50W		130±10	6500±500				63pcs EMC3030
450-T68-60W	60W		135±10	8100±600		126pcs EMC3030		
450-T68-80W	80W		130±10	10400±800		126pcs EMC3030		
500-T68-100W	100W		135±10	13500±1000		168pcs EMC3030		
500-T68-120W	120W		130±10	15600±1200		168pcs EMC3030		
500-T68-150W	150W		130±10	19500±1500		224pcs EMC3030		

Electrical data

Operating frequency	47-63Hz
Type of current	AC 100~277V
Power factor λ	>0.9
Efficiency in %	>92%
Start time (0.2s / 0.5s / ...)	0.1S
Warm-up time to 60 % (1.5s / 2s / ...)	0.5S

Photometrical data

Available light colors	Warm white; Natural white; daylight white
Available color temperatures	3000K; 4000K; 5000K; 6000K
Color rendering index Ra	>70
Standard deviation of color matching	<5
UGR (Unified Glare Rating)	<27
Available beam angles	140°70° 140°40°

Standards & Certification

Type of protection	IP65	Heatsink temperature	-20~+69℃
Tested dielectric strength	3.75KVac	Ambient temperature	-30~+40℃
Safety features features	Open circuit protection; Short circuit protection; Overvoltage protection	Storage temperature	-40~+80℃
Certificates	European market: TUV, GS, CB, D Mark, CE Australian market: SAA, CTick, RMC		
Energy efficiency class	A++		

Temperatures & operating conditions

Lifespan

Rated nominal Lifetime	100.000 hours	Base/Socket	Directly wired
Switching cycles	100.000 times	Dim mable	1-10V d immable, DALI d immable,
Lumen maintenance at e.o.l.	80%	Warranty	10 years warranty
LED Device Lifetime	L70 / B50		

Features/Capabilities and additional product data

Packing Information

Model	Dimension	CTN SIZE(CM)	QTY/CTN	Net Weight/pcs(kg)	Gross Weight /CTN(kg)
T68-30W/40W/50W	508*180*109MM	67*28.5*22.5	1PCS	5	5
T68-60W/80W	558*258*105MM	67*34.5*22.5	1PCS	6.7	6.7
T68-100W/120W	608*300*105MM	72*39.5*22.5	1PCS	8.2	8.2
T68-150W	608*300*105MM	72*39.5*22.5	1PCS	8.4	8.4

Optional accessories



Slip-Fitters for different pole diameters are available



Optional daylight sensor available



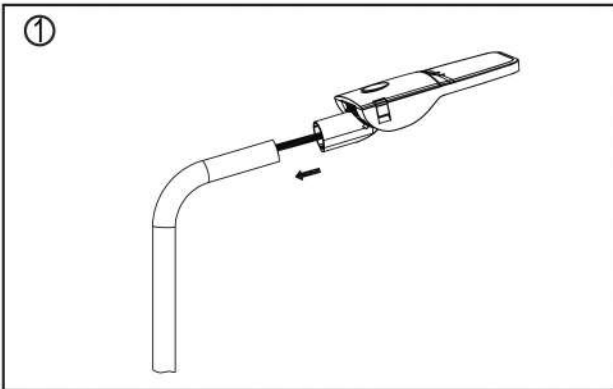
Optional motion sensor or daylight/motion sensor combination available



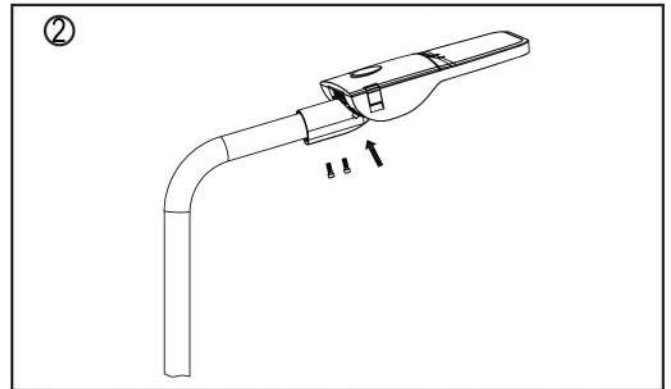
Optional 20KV surge protection available

Installation Instruction

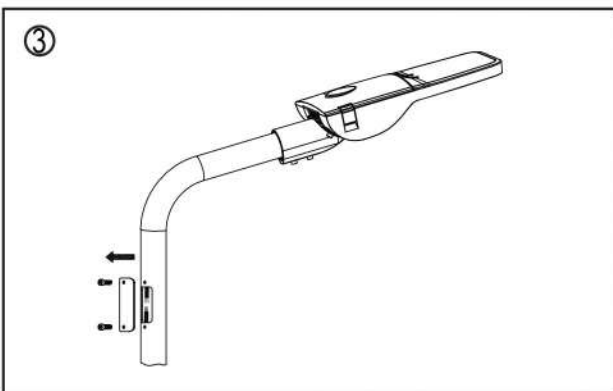
- Mount the fixture on the pole; first inserting the cable into the pole and then place the slip-fitter on the pole
- Secure the fixture by tightening the two screws
- Open the maintenance opening at the bottom of the pole
- Connect the cable to the power line



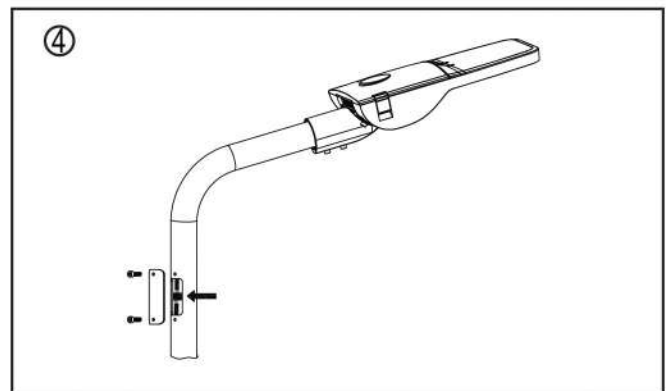
Mount the fixture on the pole



Secure the fixture by tightening the two screws



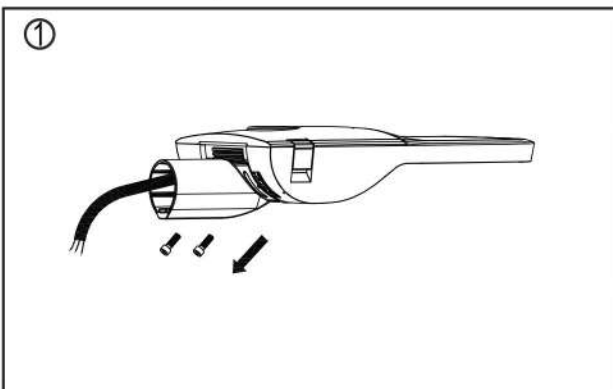
Open the poles maintenance opening



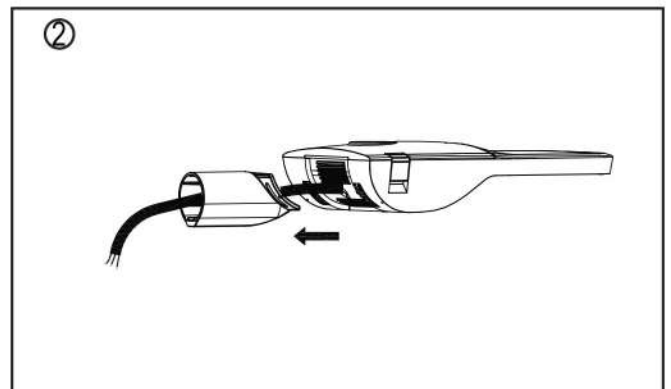
Connect the fixture to the power line

Vertical Installation Instruction

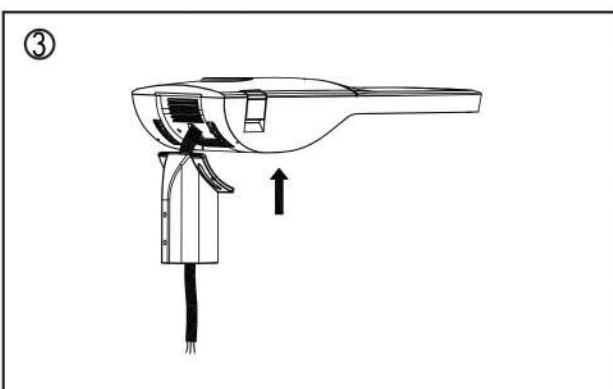
- Remove the screws holding the slip-fitter and then remove the slip-fitter
- Turn the slip-fitter around and secure it in the new position



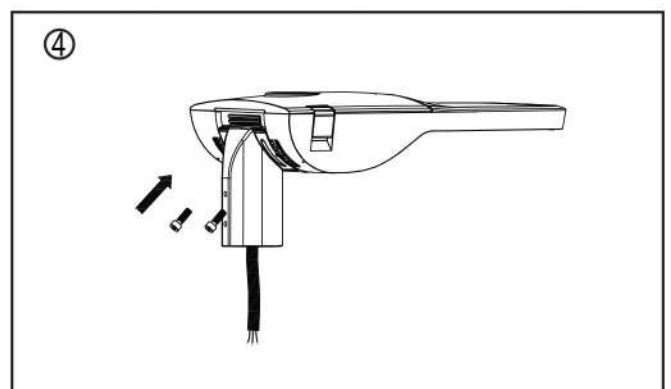
Remove the screws holding the slip-fitter



Remove the slip-fitter



Turn the slip-fitter around and fit it to the fixture



Screw the slip-fitter to the fixture

Maintenance

- To avoid injuries, disconnect power to the fixture and allow the unit to cool down before performing maintenance.
- Perform visual, mechanical and electrical inspections on a regular basis. We recommend routine checks to be made on an annual basis. Frequency of use and environment should determine this.
- The glass cover should be cleaned periodically as needed to ensure continued photometric performance. Clean the cover with a damp, non-abrasive, lint-free cloth. If not sufficient, use mild soap or a liquid cleaner. Do not use an abrasive, strong alkaline or acid cleaner as damage may occur.
- Inspect the topside on the luminaire to ensure that it is free of any obstructions or contamination (i.e. excessive dust build-up). Clean with a non-abrasive cloth if needed.



Unit 91 . Court hill House . 60 Water Lane . Cheshire . SK9 5AJ
Tel : 01625 828 999 Web: www.lightsaveled.com Email: info@lightsaveled.com

All statements, technical information and recommendations contained in this document are based on information and tests we believe to be reliable. The accuracy or completeness thereof is not guaranteed. We reserve the right to revise or update this document without notice. Since the conditions of use are outside our control, the purchaser should determine the suitability of the product for its intended use and assumes all risk and liability whatsoever in connection therewith.